

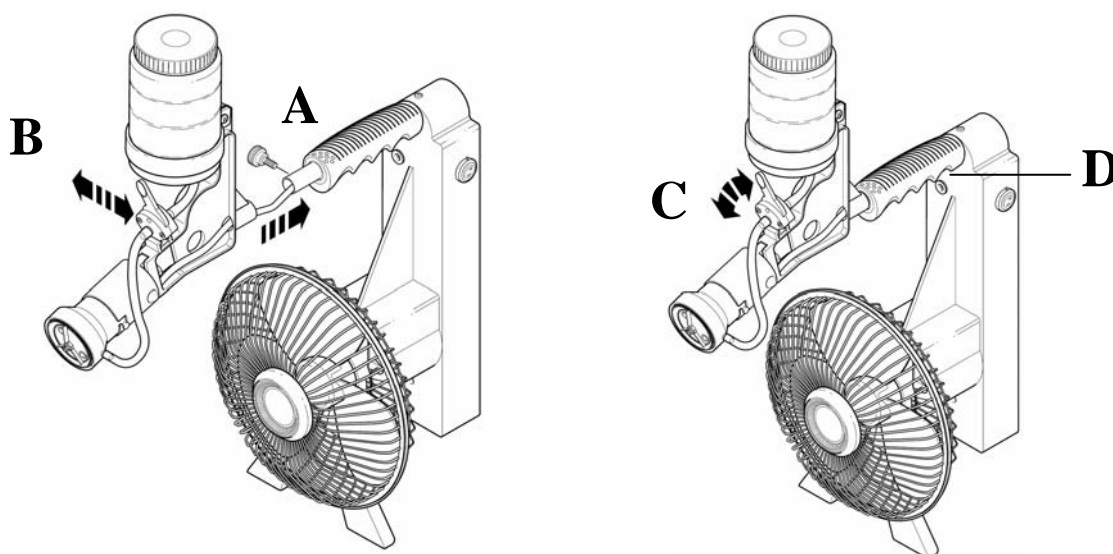
INSTRUCTION MANUAL

ROFA-2005 CDA SPRAYER

Instruction for ROFA-2005 Sprayer

The fully charged battery allows an application for approx. 60 minutes.

The complete equipment: ROFA-2005 complete with integrated
12 V - 2,2 Amp. battery,
½ litre tank
Valve blue
or blue/orange
or red
Battery-Charger 230/12 V or 110/12 V



ROFA-2005

Colour code	Target	Flow at 20 ° C
Valve blue	flying insects	approx. 19,0 ml/min
Valve orange	crawling insects	approx. 40,0 ml/min
Valve red	LOGO BIRD FREE WS 40 undiluted REJEXIT WS 40 undiluted	approx. 19,5 ml/min

Preparing for spraying

- A. Push the atomiser extension onto the connector and fasten it securely by tightening the knurled screw.
- B. Choose the appropriate valve for your spraying needs, push the slide into the seating and carefully attach the tubes on both sides.
- C. The lever operates the shut-off function as well as the dosing of the chemical.

D. Charging the battery

- Plug cable into socket first, then charger into power supply 110 V/60 Hz or 230 V-50 Hz.
Recharging will take approx. 12 hours.
Always store battery fully charged.
If not in use recharge monthly for approx. 2 hours.

Cleaning

ATTENTION!

- Always clean sprayer carefully after use.
Parts of the ULV-Sprayer should **NEVER** be cleaned with a high-pressure water source.
Electronic parts could be destroyed.

USER SAFETY RECOMMENDATIONS

- Always observe the safety recommendations for user protection in the "directions for use" of the chemical and wear the recommended personal protective equipment.
- Do not eat, smoke or drink when working with pesticides.
- Dispose of excess pesticide mix and rinse in accordance with label instructions.
- Always keep pesticides and applicators out of the reach of children.
- After use, thoroughly clean the applicator and allow to dry completely.

SET-UP AND OPERATION OF THE APPLICATOR

BATTERY USE AND CARE

Always start the day with a fully charged battery.

Connect charger plug to battery socket before connecting charging unit to 230 or 110 V outlet. Battery is fully charged in 12 hours. After charging, remove charging unit plug from 230 V outlet, then remove plug from battery socket. Recharge battery after each use and store in fully charged condition. Failure to do so reduces the service life of the battery.

Battery Condition	Charging Time with 300 mA	When to Charge
Totally discharged	12 Hours	immediately after use
Normal usage	6 Hours	immediately after use
Off season storage	2 Hours	monthly

Total spraying time is approx. 60 minutes.

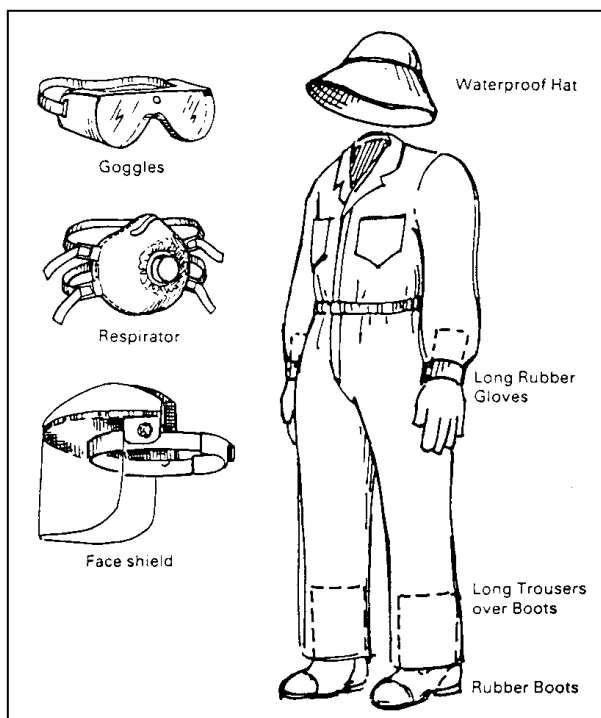
Atomiser and fan are powered by the rechargeable battery. The fluid metering is handled by a dosing diaphragm. The droplets are formed by the centrifugal force of the atomiser.

Flow rate can be affected by temperature fluctuations, therefore the flow rate specified in the calibration table has to be checked and working speed adjusted if necessary. Check the atomiser daily to be sure it is clean and operating smoothly.

CAUTION

Switch on the sprayer first and then open the shut-off valve

Fill tank, switch sprayer on and open the shut-off valve. Be sure you understand all the functions of the sprayer before starting treatment.



Recommended user protection

Calibration, sprayer off

When spraying, the sprayer should be directed backwards and held as far away from the operator as possible.

Attention!

Never move into the spray mist.

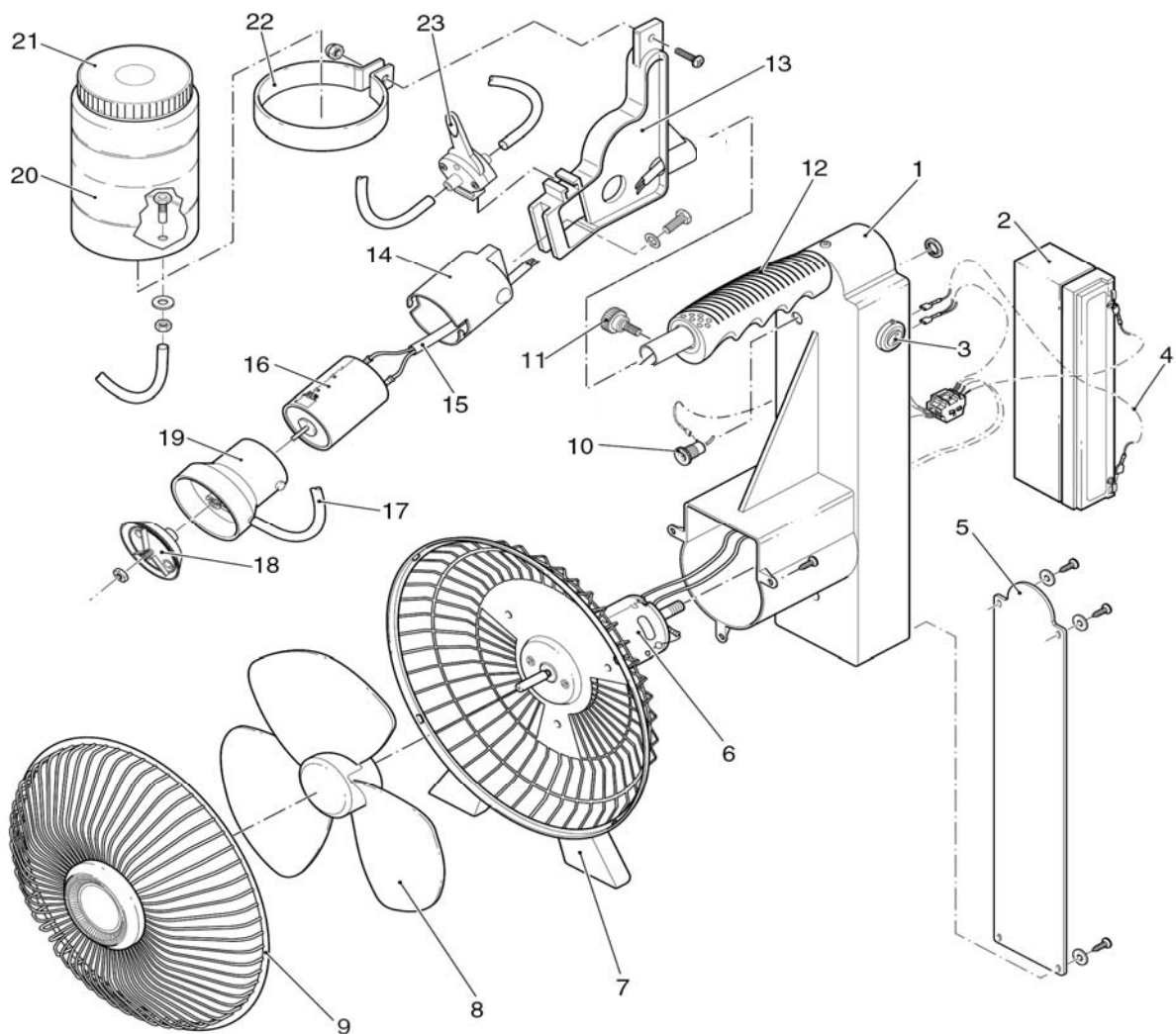
Start spraying on the most distant point and move towards the exit.

Cleaning

Clean the sprayer after each application thoroughly. Empty the chemical from the tank into the original container, fill water and approx. 5 % detergent into the tank and start the sprayer, until tubes and atomiser are clean and only cleaning fluid emerges from the atomiser.

Recharge battery.

Store sprayer in a dry place.



ROFA complete

incl. Battery and charger

Part no. 100717

Item	Part No.	Description
1	100695	Housing for Rofa 2000
2	100690	Storage battery 12 V - 2,2 Ah
3	100350	On / Off switch
4	100710	Battery cable, ROFA
5	100696	Housing cover
6	100697	Fan motor
7	100698	Fan guard, rear
8	100699	Fan
9	100700	Fan guard, front
10	100693	Socket, d=2,1 mm
11	100239	Knurled screw M 5 x 15 mm
12	100714	Connector with plug Mini-Mantra
13	100715	Atomiser extension ROFA 2005
14	100139	Motor cover

Item	Part No.	Description
15	100712	Atomiser cable with plug Mini-Mantra
16	100131	Atomiser motor
17	100703	Tube 4 x 2 mm
18	100132	Atomiser disc
19	100126	Cover, lower part
20	100262	Bottle 500 ml
21	100261	Bottle lid
22	100706	Tank seat
23	100707	Valve for ROFA, blue
	or 100708	Valve for ROFA, orange
non ill.	100709	Valve for ROFA, red
non ill.	100716	Valve for ROFA, orange and blue
non ill.	100694	Charger 12V/350mA, automatic ROFA

GUARANTEE

The manufacturer guarantees that in accordance with the present state of technology the article of purchase is free from defects as regards raw materials and construction. Guarantee is valid for all machines and apparatus for twelve months. The period of guarantee begins from the date of purchase by the user.

The manufacturer will decide to repair or replace faulty parts or issue a credit note.

Parts damaged due to normal wear and tear will not be replaced under guarantee. Carriage costs are borne by the manufacturer for faulty goods.

Unresolved claims do not entitle purchaser to withhold payments or set them against non-approved claims. Parts not manufactured by manufacturer are guaranteed by the original manufacturer under their terms. Warranty claims must be submitted in writing within 4 weeks of the damage being seen.

Repairs will be carried out with original manufacturer spare parts by an approved dealer.

Acknowledgement of a claim by manufacturer is binding only when a written notice is issued. Unless the manufacturer cannot make a repair, there is no right to cancellation of orders or to mitigation. Compensation for direct or indirect damage will not be given.

Guarantee terminates if the article of purchase is altered by manipulation of third parties or by installing spare parts of extraneous origin and if the ascertained damage is directly caused thereby. Guarantee also terminates if orderer does not observe the operating instructions.

Guarantee does neither apply to natural wear, to damage caused during storage or by corrosion, nor to damage caused by negligent or improper handling. Guarantee does not apply to used machines or apparatus.

The operation instruction published by the manufacturer has been carefully prepared and is based on extensive tests.

Since manufacturer have no influence on installation and handling of apparatus, the company will not assume any responsibility for lack of success or for damages caused by the apparatus itself or by its use.